

2A VacuMini Thermocouple Passive Vacuum Gauge

Part Number: 2-2100-102

Operating Specifications	
Operating Range	1*10 ⁻³ to 20 Torr
Analog Output	Controller-dependent
Supply Voltage	Controller-dependent
Maximum Voltage	5 V
Maximum Power	55 mW
Maximum Filament Temperature	250° C
Mounting Orientation	Any
Calibration Medium	Dry air or nitrogen
Overpressure	250 PSI
Analog Output Resolution	Controller-dependent
Operating Temperature	-20° to 50° C
Storage Temperature	-40° to 60° C
Bakeout Temperature	60° C
Response Time	≤ 1 s
Accuracy	
1 to 10 mTorr	±1 mTorr
10 to 100 mTorr	±10% of reading
100 mTorr to 1 Torr	±20% of reading
1 to 20 Torr	Indication only
Analog Output	±10 mV

Ordering Information	
Description	Part Number
2A VacuMini Sensor 0.125" NPT (1/8" NPT)	2-2100-102

Click to Buy Online from Televac® Now!

Related Products	
Description	Part Number
MX2A Active Gauge	2-8910-1XX
MX200 Vacuum Controller RS-232/RS-485/USB	2-7900-034
MX200 Vacuum Controller EthernetIP/USB	2-7900-037
MC300 Vacuum Controller	2-450X-3XX
VacuGuard Portable Vacuum Controller	2-3001-10X



MX2A



MX200 EthernetIP/USB



MC300

Visit our website at www.televac.com for a full list of compatible instruments.

Materials Exposed to Vacuum
Gold
Glass
304L/316L Stainless Steel
Tophet
Cupron



Description

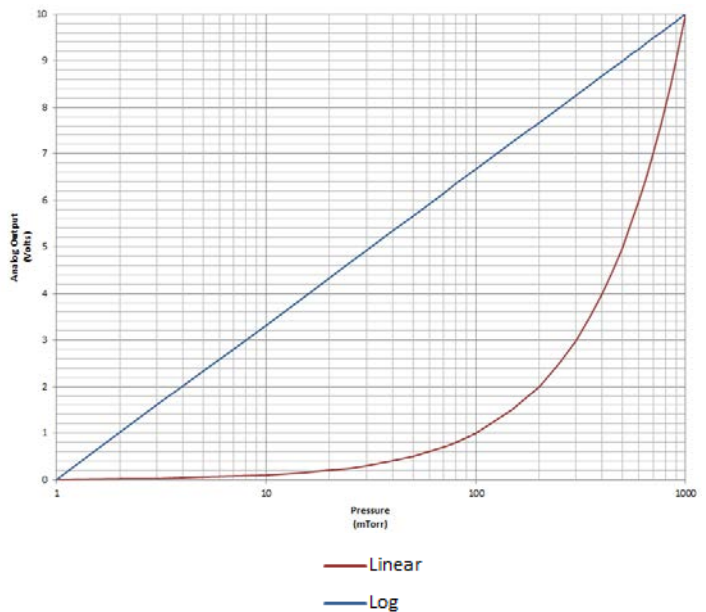
The 2A VacuMini Thermocouple Vacuum Gauge is a commercial version of Televac®'s 2A NASA Mini Thermocouple Vacuum Gauge. This vacuum gauge has a measurement range from 1*10⁻³ up to 20 Torr. It indirectly measures absolute pressure by detecting the thermal conductivity of a filament. It includes a tethered cap that provides IP67 protection for the recessed electrical pins. It also has less than 25% of the internal volume of the standard Televac® 2A vacuum gauge.

The VacuMini can be operated by several Televac® controllers, including the [MX200](#), [MC300](#), [B2A](#), [Compact 2A](#), [VacuGuard™](#), and [MV2A](#).

- Benefits**
- Competitively priced
 - Compact, robust design
 - Excellent resolution and repeatability
 - Minimal sensor to sensor output variation
 - Excellent customer support

- Ratings and Compliance**
- RoHS compliant

Analog Output Behavior (MX200)





2A VacuMini Thermocouple Passive Vacuum Gauge

Part Number: 2-2100-102

Additional Documentation

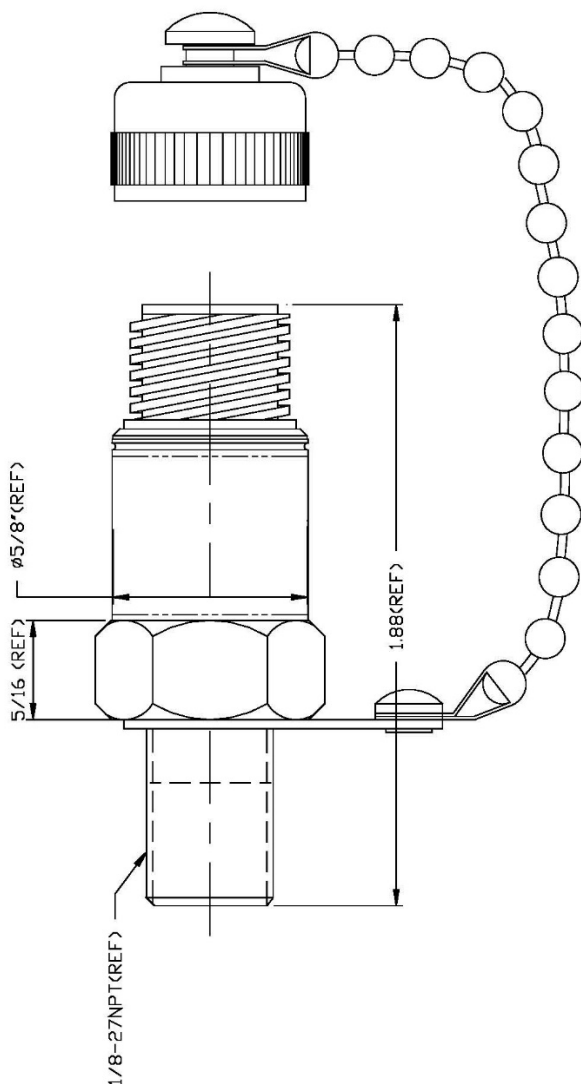
- [Televac® Tolerances](#)
- [AN 3010 - Torr Scientific/Torr Decimal/mTorr/Micron Conversions](#)
- [AN 3015 - Televac® Recommended Practices for Vacuum Calibration](#)
- [AN 3020 - Vacuum Terminology Reference](#)

[Click to Buy Online from Televac® Now!](#)

Physical Characteristics

Electrical Connections	4-Pin; Mates w/Bendix PC-06A-8-4S SR
Weight	28 g (0.062 lbs) (without tether)
Dimensions	See dimensional drawings

Dimensional Drawings



Company Information

Specialty manufacturing services that promise precision - For more than 85 years, Televac® has specialized exclusively in tilt and vacuum measurement products. Today, our precise manufacturing processes produce the most accurate and advanced products on the market, ensuring perfection every time. A true specialty service provider, we are willing and eager to put our experience and capabilities to good use, helping OEMs and end users achieve even the most complex designs.

High performance products designed and manufactured in the USA - Televac® is a global provider and U.S. manufacturer and designer of high-performance vacuum measurement products. Built to last, our products are made with state-of-the-art sensing technology, proven processes, and an intrinsic passion for the trade. Offering simple integration and quality and safety benchmarks, our customers benefit not just from standard-setting reliability, but from our commitment to competitive pricing and performance.

A partnership that prioritizes uptime, lead time, and service - Televac® guarantees customer satisfaction and our 'not too big, not too small' operation is what enables us to offer a true partnership experience. Our dedicated representatives and engineers offer exceptionally responsive service and some of the fastest lead times in the industry, knowing that uptime is the key to your success. With any-time-access to our leadership team and solutions that enhance your products, you will feel the Fredericks difference.

Vacuum measurement tools built for the toughest jobs - Televac®'s world-class vacuum sensors, gauges, and control instrumentation are engineered for the most demanding applications and environments. Our Televac® and ETI vacuum brands feature cold-cathode technology, thermocouple and convection gauges, and precision-manufactured hot ionization gauges. Dedicated solely to vacuum gauging and calibration services, we provide industrial heating, national laboratories, cryogenics, and industrial gas applications, among many others, with fast lead times and industry-leading performance. Covering the entire practical vacuum range, our products deliver rapid response vacuum readings and superior sensitivity.

[Read more about us!](#)

Contact Us

Televac® - The Fredericks Company
2400 Philmont Avenue
Huntingdon Valley, PA 19006

tel: +1 215 947 2500

fax: +1 215 947 7464

email: sales@frederickscompany.com

web: www.frederickscompany.com

Disclaimer: Specifications subject to change without notice. The Fredericks Company assumes no responsibility for inaccuracies in product specifications or any liability arising from product use.
© 2021 The Fredericks Company