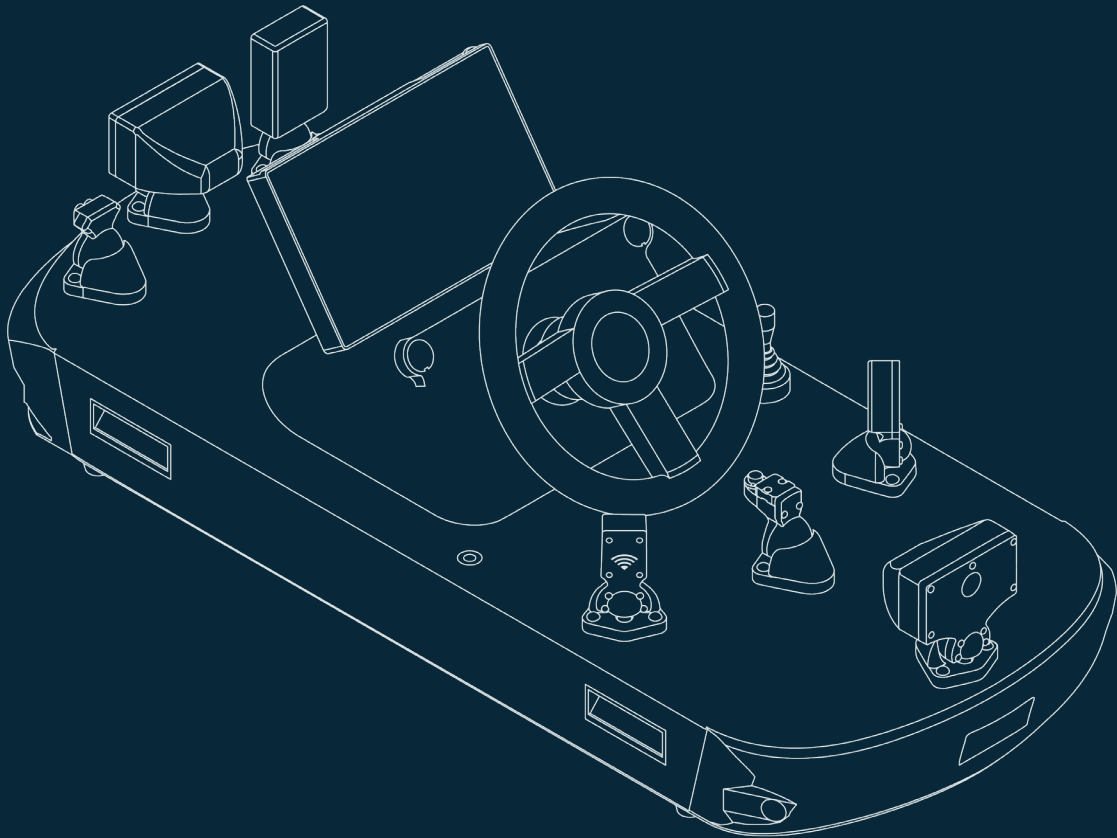




ADAS (Advanced Driver Assist Systems) Trainer





This exciting new trainer is for teaching the concepts of autonomous vehicle systems & Advanced Driver Assist Systems (ADAS). The EV-360 was designed to demonstrate the fundamental concepts and technologies currently incorporated in today's advanced vehicles.

EDUCATIONAL ADVANTAGES

This trainer allows a student to visualize sensor readings and results, literally locating where the components are on a vehicle and compares the strengths and weaknesses of the various sensors and technologies to one another. The student becomes the processor of all the sensor inputs to experience "sensor fusion", or the process of interpreting all this information into a desired outcome or reaction. The EV-360 is also designed to be used in conjunction with real vehicles as it augments actual on-car learning.

FEATURES

- The trainer is a scale model, providing the visual cues of where the components are typically found on an actual vehicle, helping the students to recognize design function and orientation.
- It incorporates a 10" X 6" tablet display with EXPLORE or DRIVE mode viewing options. These choices allow either an overall view of a composite vehicle illustrating the location of all the ADAS sensors or the tablet menu allows for individual views of each of the following components live data operation:

- Front Camera	Adjustable	- Driver Presence	Demonstrable
- LiDAR	Adjustable	- Inertial Measurement Unit	Adjustable
- Front Radar	Adjustable	- Blind Spot Radar (L/S)	Adjustable
- Ultrasonic Sensors (L/F)	Non-adjustable	- Blind Spot Radar (R/S)	Adjustable
- Ultrasonic Sensors (R/F)	Non-adjustable	- Rear Camera	Adjustable
- Park / Reverse / Drive Selector	Adjustable	- Ultrasonic Sensors (L/R)	Non-adjustable
- Steering Wheel Angle	Calibration	- Ultrasonic Sensors (R/R)	Non-adjustable

TECHNICAL INFORMATION

- Dimensions: 18 1/8 W x 38 9/16 L x 13 7/16 H inch (46.04 W x 97.95 L x 34.13 H cm)
20 1/8 W x 42 9/16 L x 17 7/16 H inch (51.12 W x 108.11 L x 44.29 H cm) with packaging
- Weight: 52 lbs (23.58 kg) / 62 lbs (28.12 kg) with packaging
- Alimentation: 120VAC / 1.6 A

